

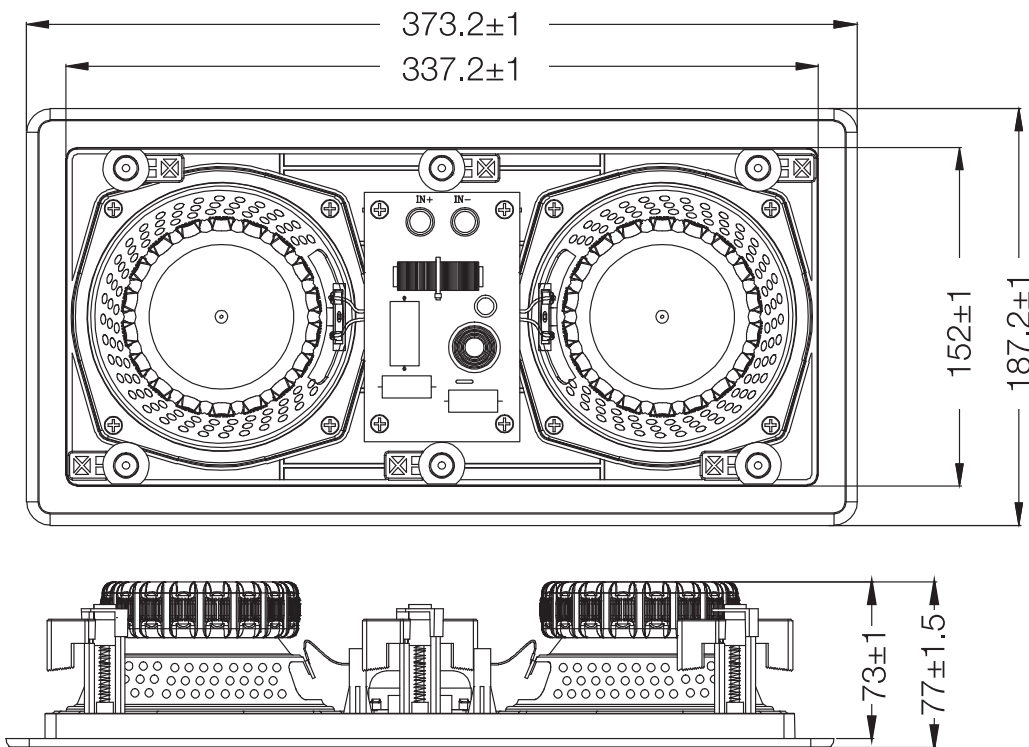
LCR In-Wall Speaker with Lay-flat magnetic grill

High Performance Sound | Superior Design

- 2-Way 5.25" Speakers
- Hi-Fi 12dB Crossover
- Magnetic Grill
- Perfect for Left, Center, Right channel use
- Ultra-thin Frame

Installation instructions:

- Take the cardboard template that comes with the speakers and place it where you want the speaker to be mounted.
- Draw around the template and cutout the speaker mounting hole.
- Run quality speaker wire (12-16 gauge) to that location.
- Carefully remove the magnetic grill from the speaker.
- Connect the speaker wire to the speaker terminals and insert the speaker into the hole.
- There are screws around the perimeter of the face of the speaker. These screws connect to "wings" in the rear of the speaker which will swingout and clamp the speaker to the wall as they are tightened.
Secure the speaker to the wall by tightening these screws until the speaker is securely mounted.



- 165W**
POWER OUTPUT
- 2x5.25"**
WOOFER
- 0.75"**
DOME TWEETER
- 8Ω**
IMPEDANCE
- 12dB**
CROSSOVER