



pure acoustics®

COMMERCIAL AMPLIFIER

Owner's Manual



pure acoustics®

The pure sound of life

Introduction

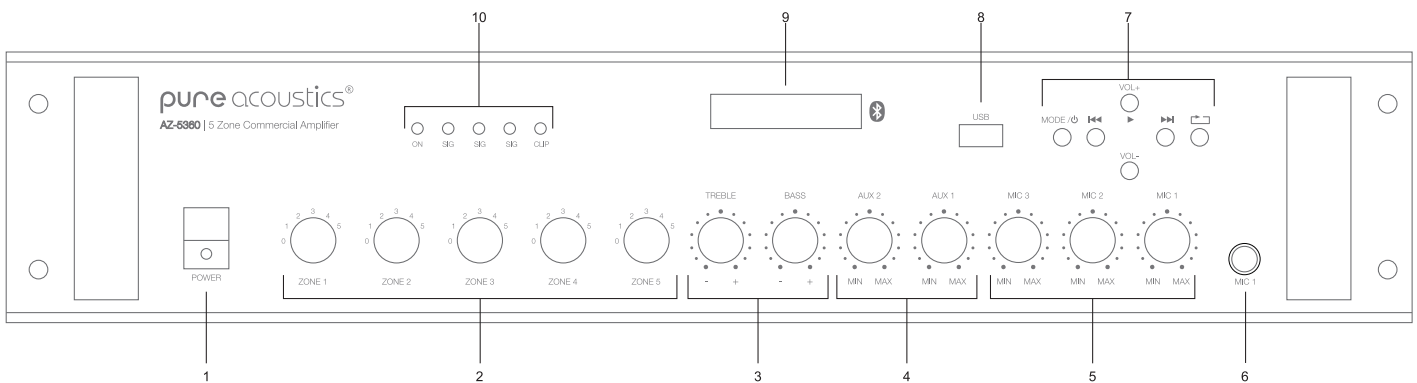
Thank you for purchasing Pure Acoustics' products, and welcome to the Pure Acoustics family of satisfied customers!

Pure Acoustics was established to fulfill the need for high quality speakers of exceptional design at an affordable price. After years of research and development, and by manufacturing all parts ourselves—from the voice-coil to the uniquely-designed crossover—Pure Acoustics is able to offer you speakers of superior value.

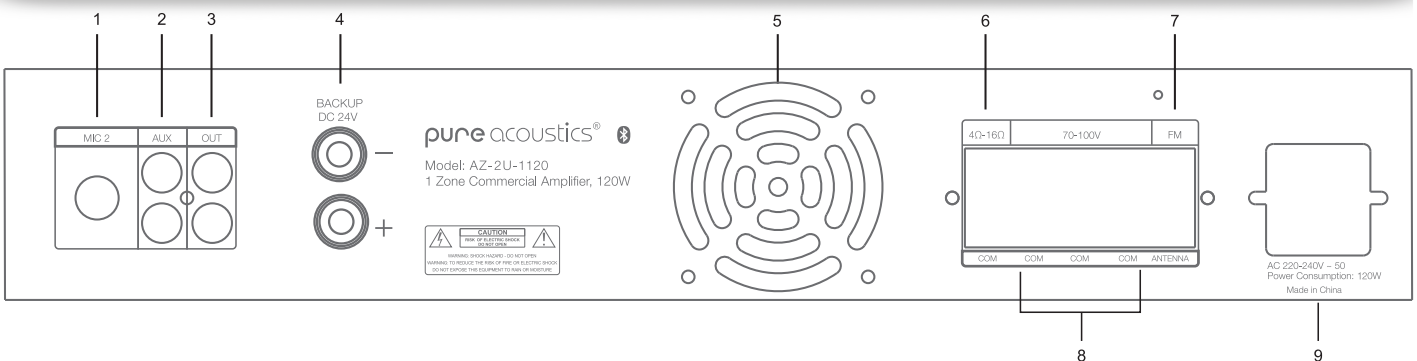
Each speaker component has been designed and engineered with first-rate materials to produce exceptional sound. Our speakers offer the best of it all—high-quality sound, hand-made solid construction, and a remarkably stylish appearance.

We welcome you to witness the results. Our team's dedication to quality, reliability and attractive design has created some of the best-value speakers you can find today.

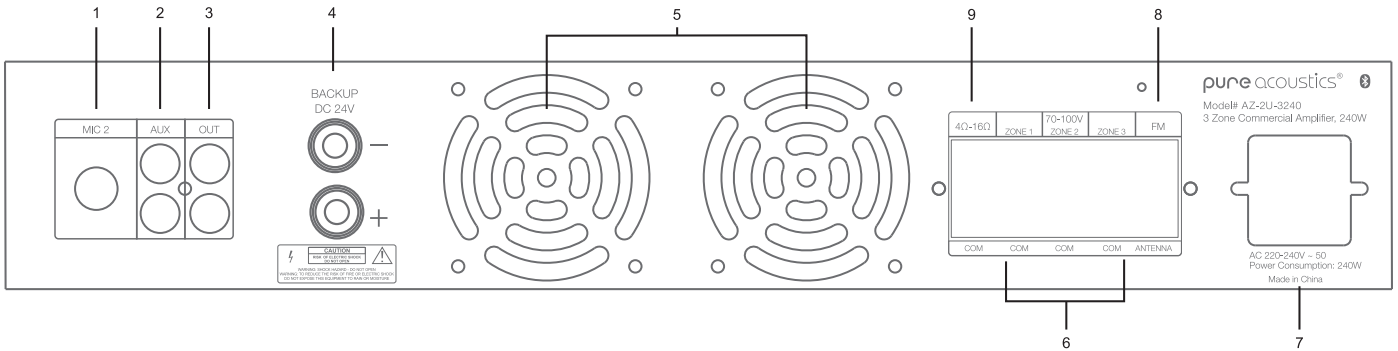
Reading the complete manual will help you to set up your speakers properly and reward you with a fine listening experience. Pure Acoustics distribution centers in Europe, Asia, Australia and the Americas will be happy to assist you with any questions you may have. Please look for the distributor nearest you on our website, www.pure-acoustics.com.



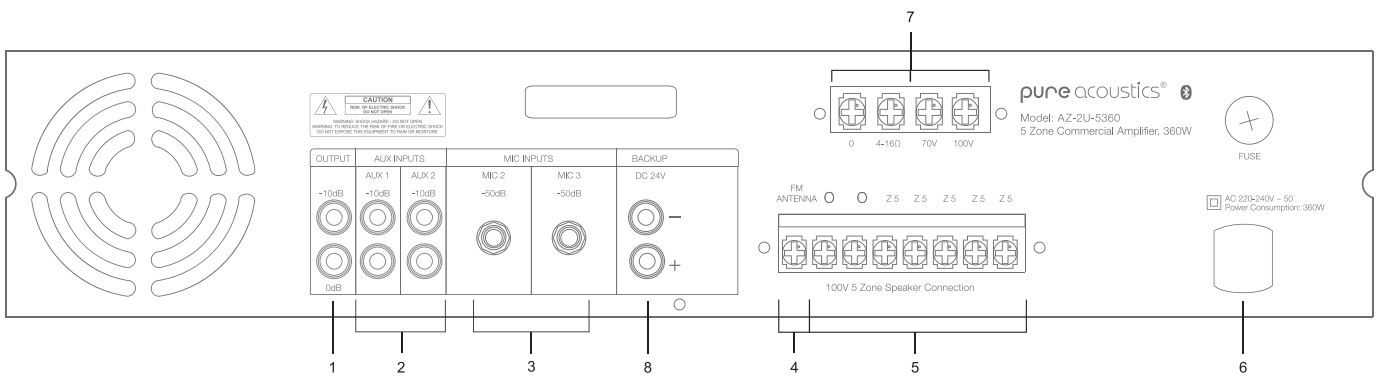
- | | | |
|-------------------------|-------------------------------|------------------------------|
| 1. Power switch | 5. Microphone volume controls | 8. USB input port |
| 2. Zone control | 6. 6.3mm MIC 1 input | 9. Digital display |
| 3. Tone control | 7. Multimedia control panel | 10. Power and clip indicator |
| 4. Auxiliary MP3 volume | | |



- | | | |
|---|-------------------------------|-------------------------------|
| 1. 6.3mm Microphone 2 input | 4. 24V DC Backup Power | 7. FM Antenna |
| 2. Auxiliary input | 5. Heat Fan | 8. 100V 1 Zone Speaker Option |
| 3. External Amplifier Connection Option | 6. Passive Speaker Connection | 9. Power Connector Port |



- 1. 6.3mm Microphone 2 input
- 2. Auxiliary input
- 3. External Amplifier Connection Option
- 4. 24V DC Backup Power
- 5. Heat Fan 2
- 6. 100V 3 Zone Speaker Option
- 7. Power Connector Port
- 8. FM Antenna
- 9. Passive Speaker Connection



- 1. External Amplifier Connection Option
- 2. AUX 1 AUX 2 Input Connections
- 3. 6.3mm MIC 2 MIC 3 Input Connections
- 4. FM Antenna Connection
- 5. 100V 5 Zone Speaker Connection
- 6. Power Cable Connection
- 7. Passive Speaker Connection
- 8. 24V DC Backup Power

Technical Specifications

Maximum Power Output:120W/240W/360W

Output:4-16Ω Balance output 70-100V rated output voltage

Inputs:Mic 1,2,3 35MV/600Ω (-10dB imbalance) Aux 1,2:0.775 V/10K (0dB)

Backup Power Input:24VDC

Frequency Response:70Hz-20KHz(±3dB)

THD:0.1% at 1KHz, 1/3 Related power

Signal To Noise Ratio:MIC 1,2,3;≥66dB,Aux 1,2:≥70dB

Volume:Bass:±10dB at 100Hz;B Treble:±10dB at 10KHz

Clipping:Short-circuit and overload protection

Power:AC-220V-240V/50Hz

Size:48.2 x 31 x 8.8 cm

Features

Premium Amplification - Class AB amplification provides stable distortion free sound distribution

Clip Protection - 4 Level circuitoverloadindicator protection

1/3/5 Zone - Amplification capability with independent sound control

24V DC - Power port provides a connection to an external battery in the event of a power outage or emergency.Suitable for use with emergency and fire safety PA systems

Bluetooth - Wirelessly stream music to up to 3 different rooms or areas simultaneously

Wired MIC Inputs - Three 6.3mm wired microphone inputs with individual volume adjust

RCA Inputs - Two AUX ports for smartphones,tablets mp3 players with independent volume control

RCA Output - Provides an additional external amplifier connection option

FM Radio Built - in digital FM tuner with auto scan provides continuous music play

Digital Equalizer - 5 Option digital equalizer for a complete customized sound delivery

Tone Control - Analog bass and treble controls offer additional sound customization to all zones

USB Inputs - Access external music source using a flash drive

Limited one-year warranty

Pure Acoustics products have been designed and manufactured to the highest quality standards. However, in the event that something malfunctions, Pure Acoustics and your local authorized distributor warrant free of charge parts and labor (some exclusions may apply) for a period of one year. This warranty is only valid for the original owner. This warranty is limited to the repair of the product. This warranty will not apply to units that were subject to misuse, neglect, abuse, alteration or improper installation. This warranty will not cover damage due to fire, water, heat, lightning or any other cause beyond the control of Pure Acoustics. Retention of your original dated receipt is required in order to obtain warranty service from your local authorized Pure Acoustics Dealer.